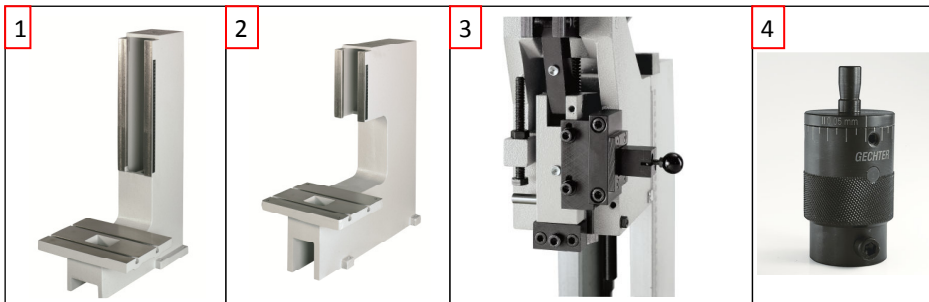


Type 4 HZP Manual Rack & Pinion Press

The BalTec Type 4 HZP press is a robustly designed small press with lots of features.

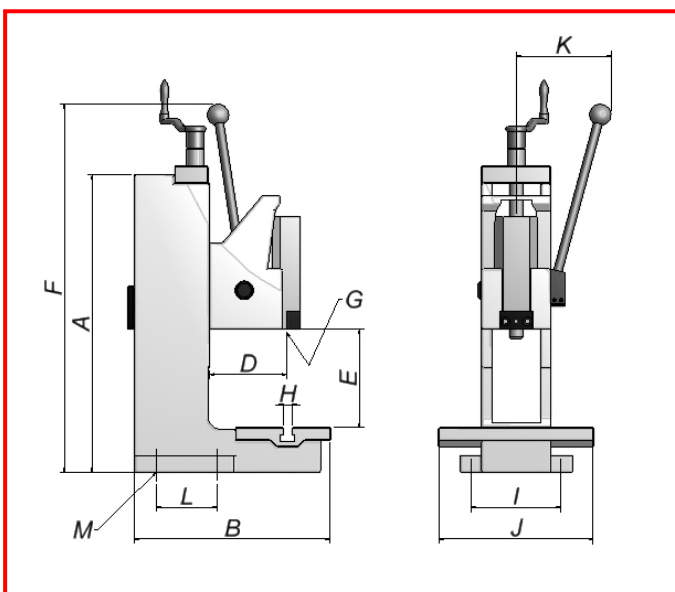


- The ram is vee guided to ensure the ram does not rotate during use and also ensures accurate guidance
- The front spigot clamping block gives accurate all round clamping
- A return lock mechanism can be fitted. A return lock mechanism will allow the press to return only when the complete stroke has been completed
- Large table with Tee slot clamping surface
- Quick and easy head height adjustment
- Also available as head only
- DXF, DWG and 3D Model files available on request



Accessories

1. Extra height frame
2. Extra throat depth frame
3. Return Lock Mechanism and Counter
4. Fine Adjustment



Dimensions	Type 4 HZP
A	344
B	227
C	10
D	90
E	70 - 205
F	465 - 600
G	Ø10 H7
H	10
I	110
J	180
K	150
L	95
M	Ø9
Force at lower position	Max 2.5kN
Weight	19kg