

2.5 kN HKP/E Manual Toggle Press



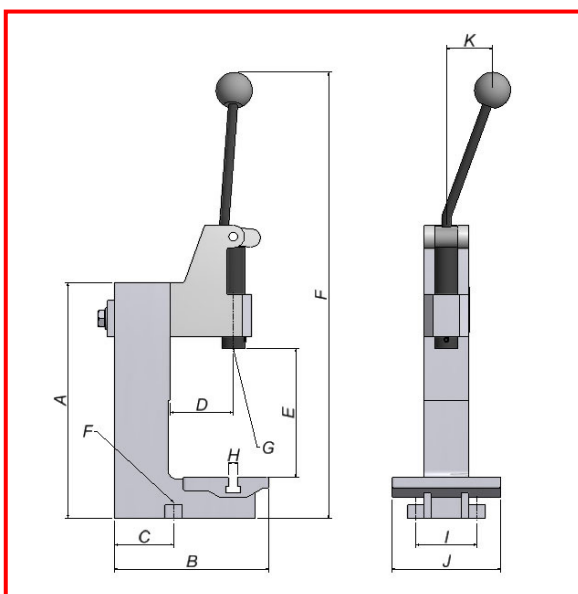
The BalTec 2.5kN HKP/E press is a robustly designed small press with lots of features.

- The press has a round guided ram with an anti rotation device to ensure the ram does not rotate during use and also ensures accurate guidance
- The spigot is clamped via a grub screw at the front of the ram
- Large table with Tee slot clamping surface
- Quick and easy head height adjustment
- Also available as head only
- DXF, DWG and 3D Model files available on request



Accessories

1. Fine Adjustment



Dimensions	2.5 kN HKP/E
A	260
B	170
C	64
D	70
E	70 - 167
F	413 - 510
G	Ø10 H7
H	10
I	70
J	120
K	50
Stroke	0-32
Force at lower position	Max 5kN
Weight	7kg