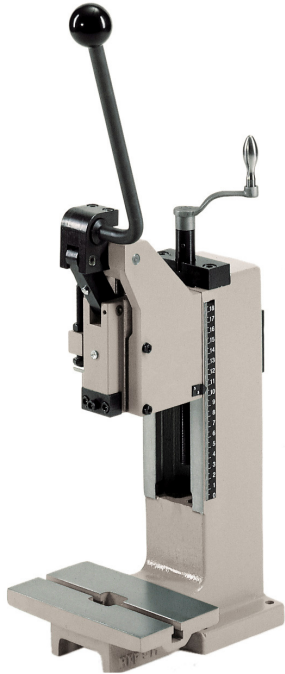
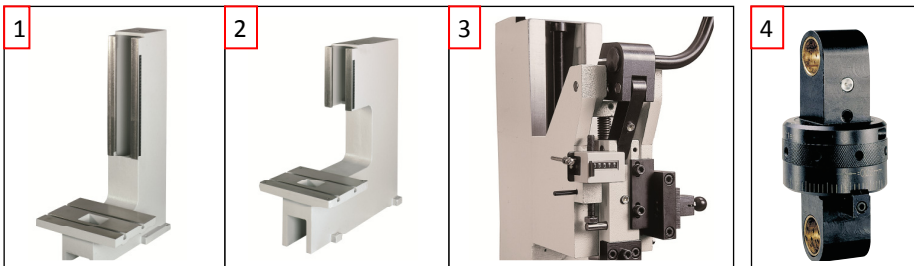


8/12 kN HKPV Manual Toggle Press



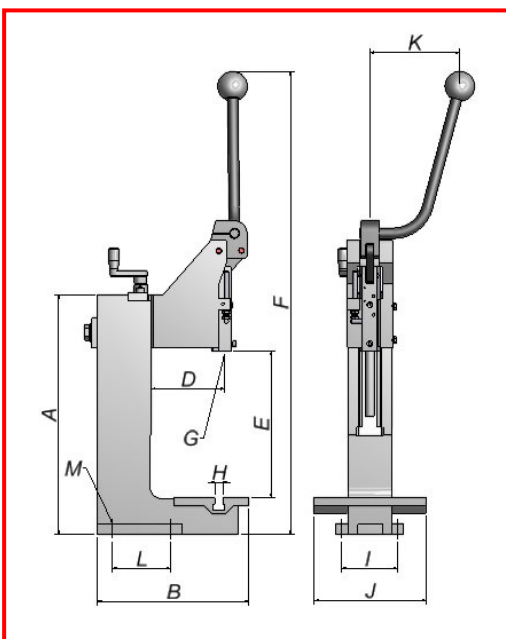
The BalTec 8/12kN HKPV press is a robustly designed small press with lots of features.

- The handle can be changed for left hand use or right hand use and can be positioned in any orientation
- The ram is vee guided to ensure the ram does not rotate during use and also ensures accurate guidance
- The front spigot clamping block gives accurate all round clamping
- A return lock mechanism can be fitted. A return lock mechanism will allow the press to return only when the complete stroke has been completed
- Large table with Tee slot clamping surface
- Quick and easy head height adjustment
- Also available as head only
- DXF, DWG and 3D Model files available on request



Accessories

1. Extra height frame
2. Extra throat depth frame
3. Return Lock Mechanism and Counter
4. Fine Adjustment



Dimensions	8/12 kN HKPV
A	415
B	310
C	10
D	120
E	75 - 240
F	655 - 820
G	Ø10 H7
H	10
I	120
J	200
K	170
L	120
M	Ø9
Stroke	0 - 40
Force at lower position	Max 20kN
Weight	32kg