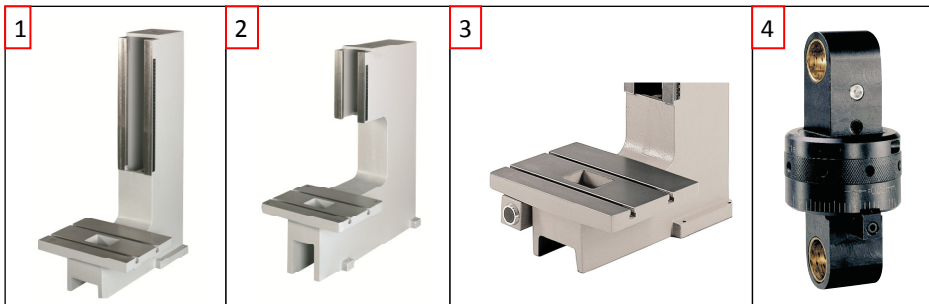


56kN HKP/L Hand Aided Pneumatic Press



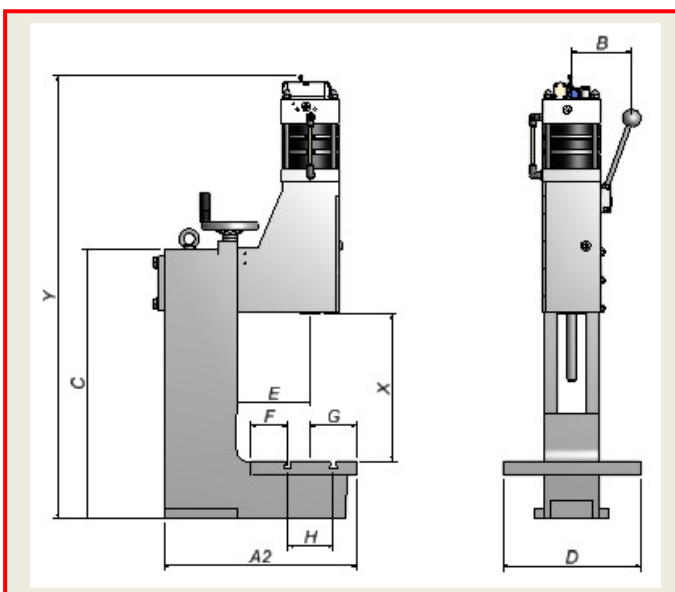
The BalTec 56kN HKP/L press is a robustly designed small press with lots of features.

- The ram is vee guided to ensure the ram does not rotate during use and also ensures accurate guidance
- The handle can be positioned anywhere over 360° for operator comfort
- The front spigot clamping block gives accurate all round clamping
- When the operator closes the toggle of the press the pneumatic cylinder will operate to complete the press stroke given 5.8mm of power stroke
- Large table with Tee slot clamping surface
- Quick and easy head height adjustment
- Also available as head only
- DXF, DWG and 3D Model files available on request
- Complies with CE standards without any additional guarding



Accessories

1. Extra height frame increasing "X" by 100mm
2. Extra throat depth frame increasing "E" by 100mm
3. Additional Start Button



Dimensions	56kN HKP/L
A2	565
B	360
C	715
D	340
E	200
F	150
G	120
H	100
U	49
X	120 - 375
Y	965 - 1225
Ram Location Dia	Ø25 H7
Stroke	6-59
Force at lower position	Max 45kN @6 bar