

12 kN LP Linear Acting Pneumatic Press



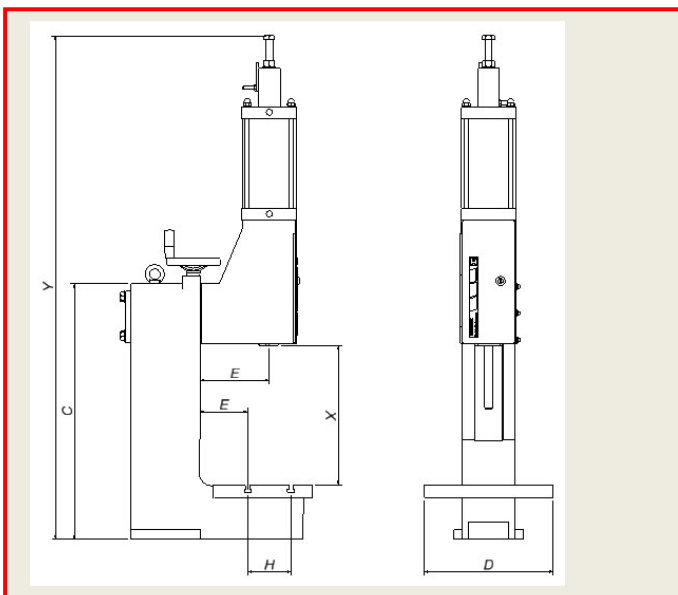
The BalTec 12kN LP press is a robustly designed small press with lots of features.

- The ram is vee guided to ensure the ram does not rotate during use and also ensures accurate guidance
- The front spigot clamping block gives accurate all round clamping
- Large table with Tee slot clamping surface
- Quick and easy head height adjustment
- Also available as head only
- DXF, DWG and 3D Model files available on request
- Complies with CE standards without any additional guarding
- Comes with a variety of control features. Please see separate control sheet for more details



Accessories

1. Extra height frame
2. Extra throat depth frame
3. Fine Adjustment
4. Force monitoring options



Dimensions	12 kN LP
C	415
D	200
E	120
F	93
G	75
H	
U	21
X	73 - 240
Y	929 max
Ram Location Dia	Ø10 H7
Stroke	0 - 40
	0 - 60
Force at lower position	Max 12kN @7 bar