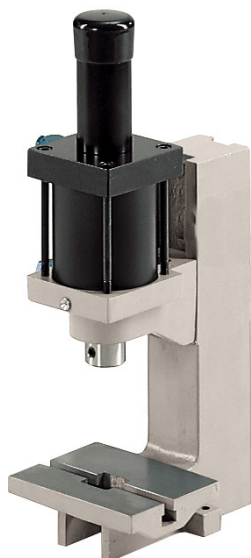


2 kN LP Linear Acting Pneumatic Press



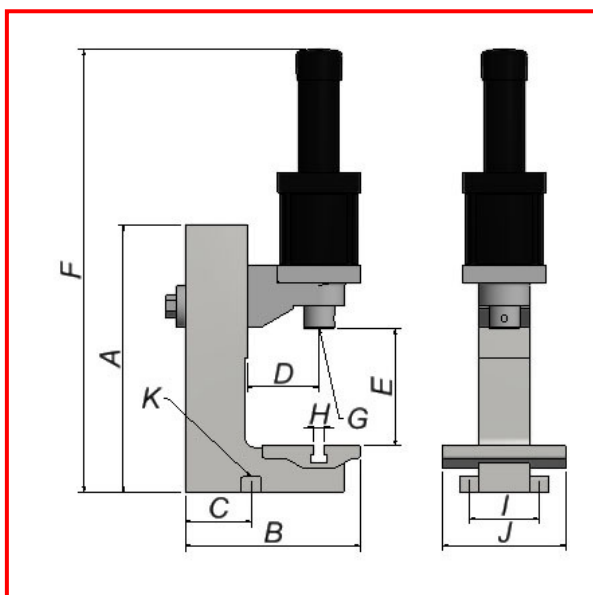
The BalTec 2kN LP press is a robustly designed small press with lots of features.

- The ram is a round and guided to ensure the ram does not rotate during use and also ensures accurate guidance
- The spigot is held in via a grub at the front of the ram
- Large table with Tee slot clamping surface
- Quick and easy head height adjustment
- Also available as head only
- DXF, DWG and 3D Model files available on request
- Complies with CE standards without any additional guarding
- Comes with a variety of control features. Please see separate control sheet for more details



Accessories

1. Fine Adjustment



Dimensions	2 kN LP
A	260
B	170
C	64
D	70
E	83 -180
F	400 - 497
G	Ø10 H7
H	10
I	70
J	120
K	Ø7
Stroke	0 - 40
Force at lower position	Max 2kN @7 bar
Weight	8kgw