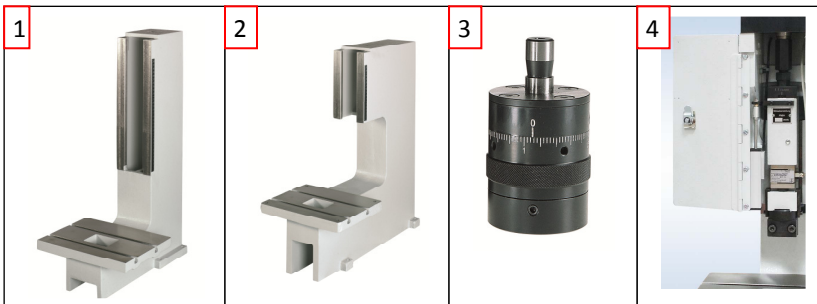


## 20 kN LP Straight Acting Pneumatic Press



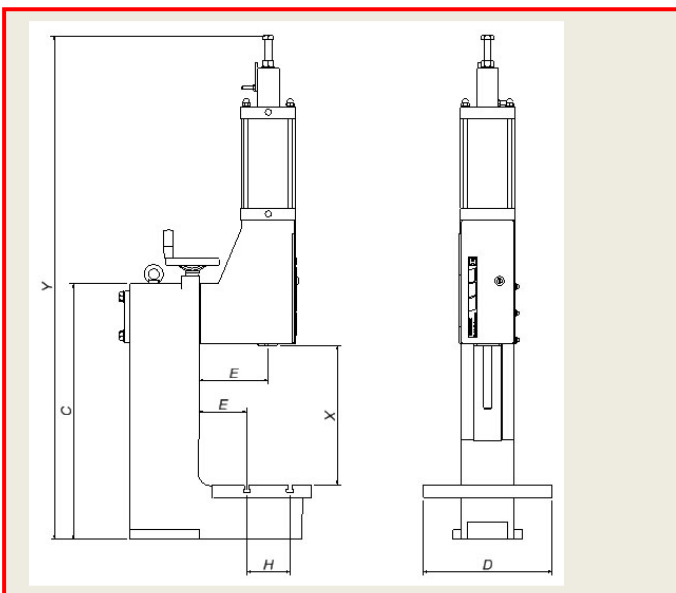
The BalTec 20kN LP press is a robustly designed small press with lots of features.

- The ram is vee guided to ensure the ram does not rotate during use and also ensures accurate guidance
- The front spigot clamping block gives accurate all round clamping
- Large table with Tee slot clamping surface
- Quick and easy head height adjustment
- Also available as head only
- There are 3 stroke options available, 40mm , 60mm , 80mm
- DXF, DWG and 3D Model files available on request
- Complies with CE standards without any additional guarding
- Comes with a variety of control features. Please see separate control sheet for more details



### Accessories

1. Extra height frame
2. Extra throat depth frame
3. Fine Adjustment
4. Force monitoring options



Dimensions	20 kN LP
C	590
D	300
E	160
F	130
G	100
H	100
U	29
X	100 – 320
Y	941 -1161
Ram Location Dia	Ø15 H7
Stroke	0 – 40mm
	0 – 60mm
	0 – 80mm
Force at lower position	Max 20kN @7 bar