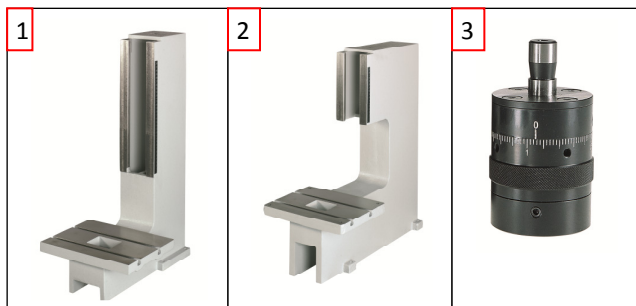


20 kN KHKP Pneumatic Toggle Press



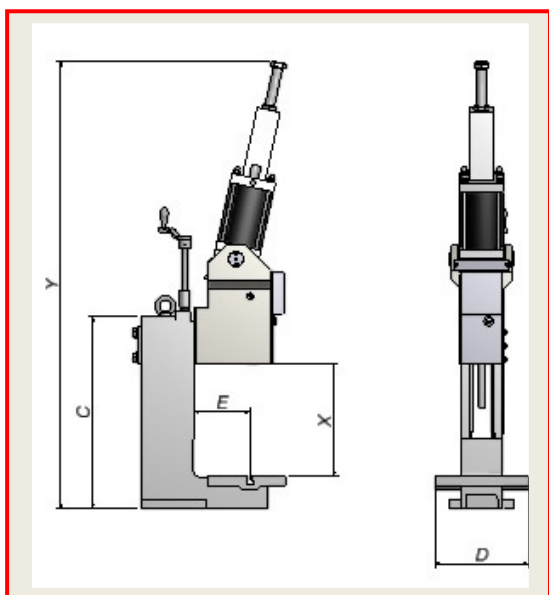
The BalTec 20kN KHKP press is a robustly designed small press with lots of features.

- The ram is vee guided to ensure the ram does not rotate during use and also ensures accurate guidance
- The front spigot clamping block gives accurate all round clamping
- Large table with Tee slot clamping surface
- Quick and easy head height adjustment
- Also available as head only
- DXF, DWG and 3D Model files available on request
- Comes with a variety of control features. Please see separate control sheet for more details



Accessories

1. Extra height frame
2. Extra throat depth frame
3. Fine Adjustment



Dimensions	20 kN LP
C	415
D	200
E	120
X	60 – 225
Y	725 - 890
Ram Location Dia	Ø10 H7
Stroke	0 – 60mm
Force at lower position	Max 20kN @6 bar