



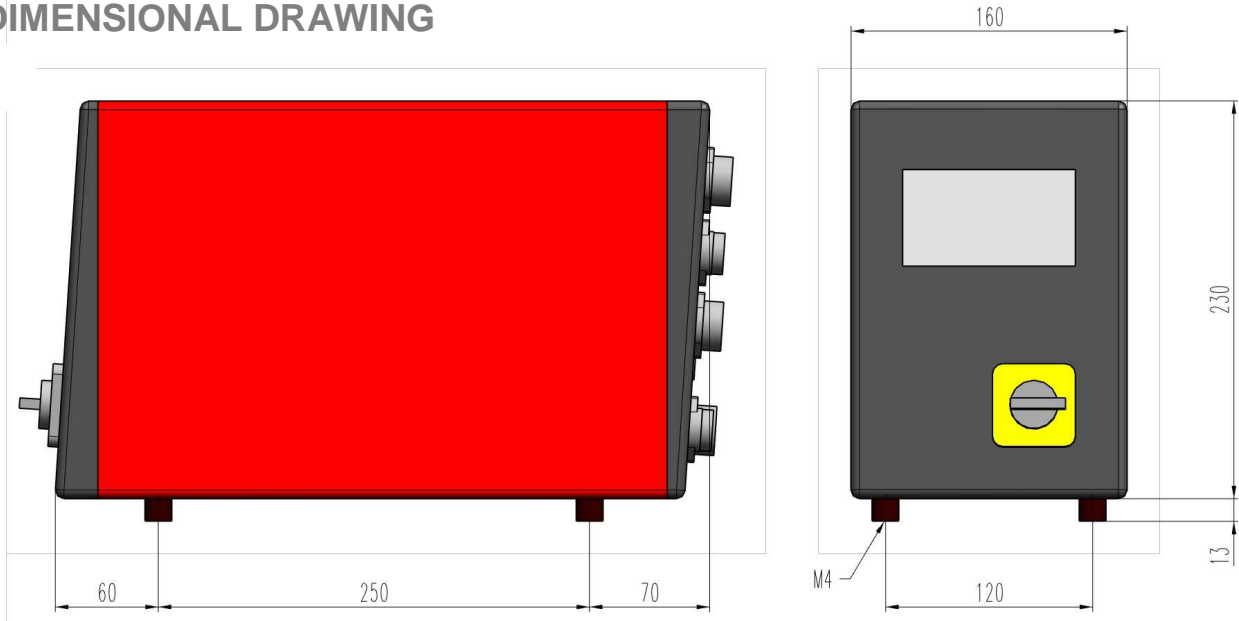
### KEY FEATURES

- riveting process is controlled by time setting
- controller is modular and can be used for:
  - pneumatic riveting machines (single- or double riveting machine)
  - hydraulic riveting machines (single riveting machine)

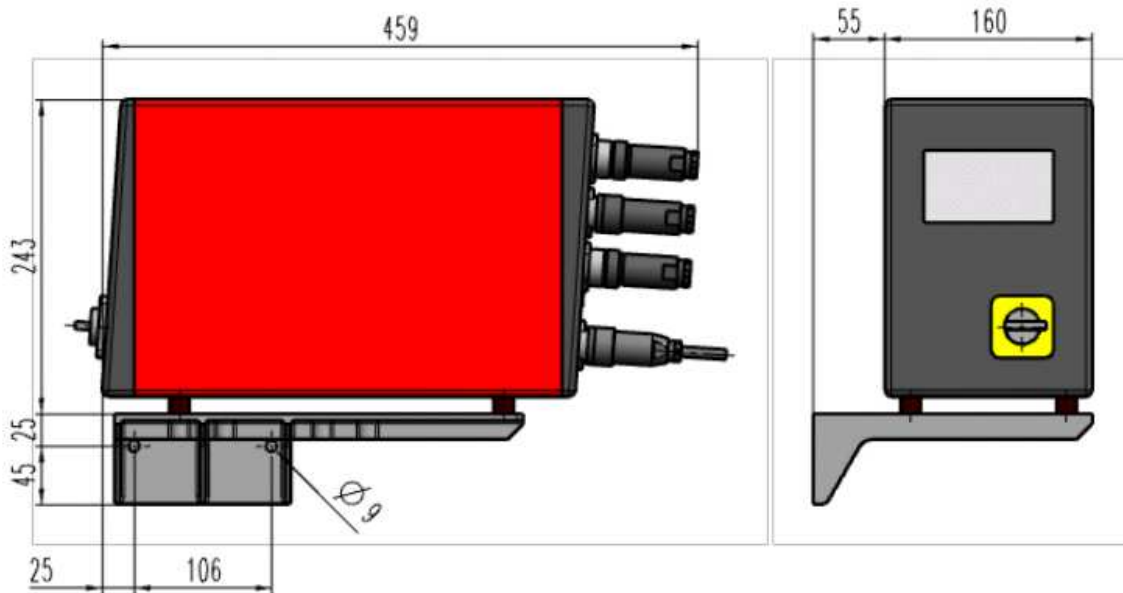
### DETAILED SPECIFICATIONS

- 4.3" Touchscreen, LED-backlit
- Control Software on SD card – SW updates via SD card possible
- Total hardware in semiconductor technology executed
- All connections on the back side conducted by plugs
- Housing in sheet metal construction, IP 53
- Connection for 2 hand switches with integrated 2-hand relay (option)
- Connection for automatic lubrication
- Connection for machine lamp 24VDC
- Connection for safety valve (2-channel) possible
- Option: Connection for external safety (2-channel)
- Option: Connection for status message relay output
- Option: In/output card with 7 (8) digital inputs / 4 (3) digital outputs (sliding table/rotary indexing table activation or customer specific control functions)
- Option: Analog output 0-700mA or 4-20mA
- Option: Connection for riveting stroke limit switch unit (NHE-E)
- Stroke counter and hour counter - resettable
- Total stroke counter and hour counter – not resettable
- Power supply:  
3x200-240 / 380-500 / 500-600V, or  
1x100-120 / 200-240V
- Operating languages: DE, EN, ES, FR, HU, IT, NL, PL, PT, RO, RU, SE

## DIMENSIONAL DRAWING

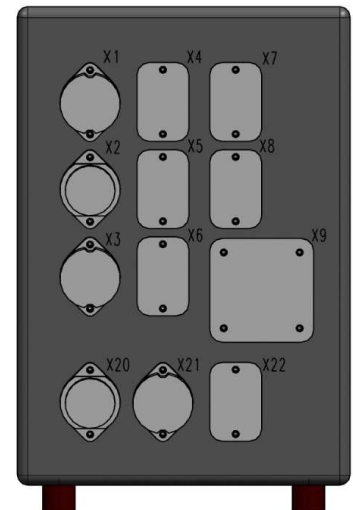


## WITH CONTROL-BOX SUPPORT 825075



## REAR PANEL, CONNECTION PLUG ASSIGNMENT

- X1: valve down / up, initiator TDC
- X2: release, start (foot switch), bridging initiator
- X3: grease, working lamp, grease initiator
- X4: instant stop, two-hand
- X5: volume flow regulating valve, rapid speed/  
working speed valve, initiator BDC
- X6: external alert, safety and safety circuit
- X7: depending on model, see operating instr.
- X8: depending on model, see operating instr.
- X9: PLC Interface
- X20: power supply
- X21: riveting motor
- X22: hydraulic motor



Subject to technical changes