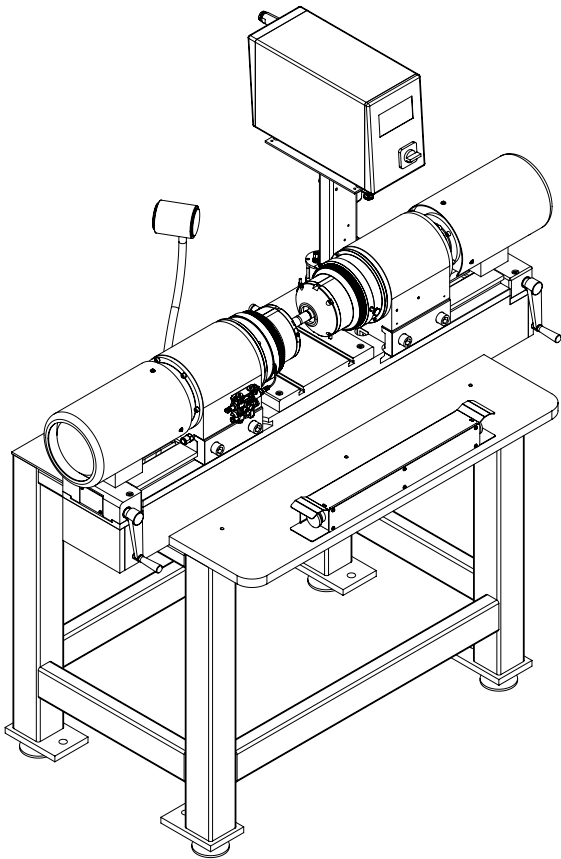


RND – RADIAL DOUBLE RIVETING MACHINE



Key features

- Complete work station
- Two riveting machines assembled on supporting table:
Bench top model: 081-231
Stand alone work station: 281-331
- Riveting units can be moved on both sides; simultaneous riveting possible
- Time Based Control RC-30 serves both riveting units at the same time
- Two hand start button including safety relay and work lamp
- Standard pneumatics
- Optionally: Safety enclosure

with Time Based Control RC-30

4.3" Touchscreen, LED-backlit

Control Software on SD card – SW updates via SD card possible

Total hardware in semiconductor technology executed

All connections on the back side via quick disconnect

Control in sheet metal enclosure, IP 53

Stroke counter and hour counter are resettable

Total stroke counter and total hour counter are not resettable

Main dimensions and weights

Model	kN	H	A	I	J	D	L	E	O	K	kg
RND 081	0.8-2.4	2-25	423-448	902-1362	770	58-83	90	75	75	196	90
RND 151	0.2-1.5	5-30	544-574	1128-1466	930	125-155	90	110	170	180	130
RND 181	1.8-6.6	5-30	544-574	1128-1466	930	125-155	90	110	170	180	130
RND 181R	1.2-3.6	5-30	544-574	1128-1466	930	125-155	90	110	170	180	130
RND 231	3.8-12	5-40	594-634	1238-1508	1018	145-185	90	110	170	204	140
RND 281	5.8-17	5-40	656-696	1371-1738	1248	166-206	150	125	180	226	340
RND 281R	3-9.5	5-40	656-696	1371-1738	1248	166-206	150	125	180	226	340
RND 331	11-33	5-50	764-814	1937-1557	1348	207-257	150	160	200	284	450
RND 381	6-40	5-50	752-802	1542-1924	1348	198-248	150	120	200	199	590

Further dimensions: Please ask for our detailed dimensional drawings.
Subject to technical changes.

