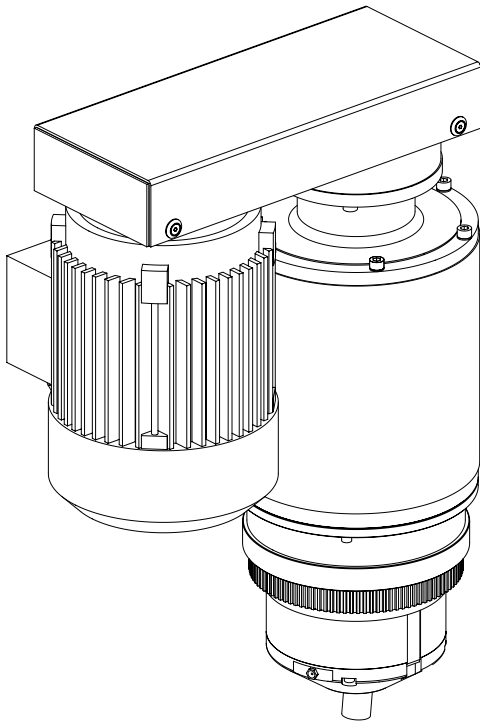
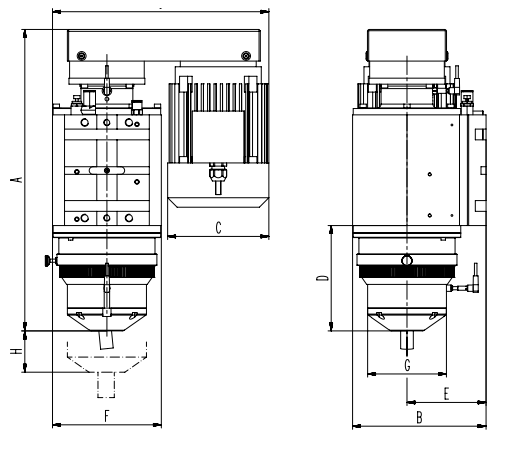


## RNE – RADIAL RIVETING UNIT WITH MOTOR MOUNTED ON FRONT OR SIDE



### Key features

- Riveting unit with motor mounted on front or side
- Separate riveting unit – can be installed in special machines in any desired position
- Ideal for limited space



### Main dimensions and weights

Model	kN	H	A	J	C	D	B
RNE-070-151	0.2-1.5	5-30	373-403	294	142	125-155	173
RNE-070-181	1.8-6.6	5-30	373-403	294	142	125-155	173
RNE-070-181R	1.2-3.6	5-30	373-403	294	142	125-155	173
RNE-070-231	3.8-12	5-40	408-448	306	142	145-185	185
RNE-070-281	5.8-17	5-40	477-517	342	160	167-207	211
RNE-070-281R	3.0-9.5	5-40	477-517	342	160	167-207	211
RNE-070-331	11-33	5-50	570-620	424	180	207-257	275
RNE-070-381	6.0-40	5-50	417-467	370	180	198-248	200

Further dimensions: Please ask for our detailed dimensional drawings.  
Subject to technical changes.