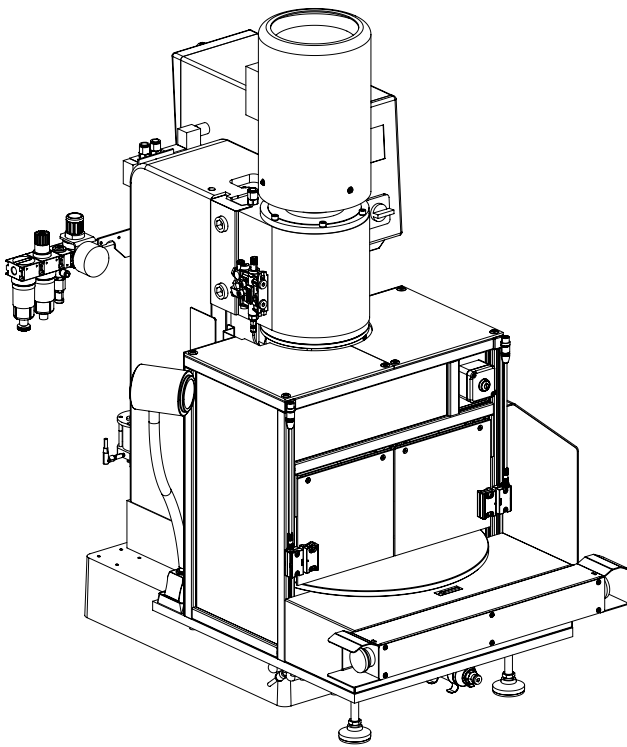


## RNR – RADIAL ROTARY INDEXING TABLE RIVETING MACHINE



### Key features

- Complete work station; column and riser plate
- Electrical rotary indexing table with 6 stations (optional with 4)
- Safety enclosure
- Two hand buttons including safety relay or foot pedal
- With pneumatic ejection of the riveted parts on request
- Standard pneumatics
- Work lamp

### with Process Control HPP-25

5,7" Touchscreen LED-backlit

Process data are continuously evaluated and stored

Integrated riveting curve visualization for a simple process analysis

USB and Ethernet interfaces and integrated data logger

Graphical display of riveting force and deformation path-curve

Indicator on riveting head home position and lower endposition

Status display in-/output of the riveting curve

### with Time Based Control RC-30

4.3" Touchscreen, LED-backlit

Control Software on SD card – SW updates via SD card possible

Total hardware in semiconductor technology executed

All connections on the back side via quick disconnect

Control in sheet metal enclosure, IP 53

Stroke counter and hour counter are resettable

Total stroke counter and total hour counter are not resettable

## Main dimensions and weights

Model	kN	H	K	R	I	L	N	O	P	Q	kg
<b>RNR 081</b>	0.8.-2.4	2-25	644	644	676-773	264	75	205	95-129	419	70
<b>RNR 151</b>	0.2-1.5	5-30	1027	690	809-959	261	102	225	35-185	549	95
<b>RNR 181</b>	1.8-6.6	5-30	1027	690	809-959	261	102	225	35-185	549	95
<b>RNR 181R</b>	1.2-3.6	5-30	1027	690	809-959	261	102	225	35-185	549	95
<b>RNR 231</b>	3.8-12	5-40	1027	660	829-979	270	110	225	6-156	549	110
<b>RNR 281</b>	5.8-17	5-40	1085	748	918-1068	291	125	235	24-174	559	195
<b>RNR 281R</b>	3.0-9.5	5-40	1085	748	918-1068	291	125	235	24-174	559	195
<b>RNR 331</b>	11-33	5-50	1019	810	1046-1156	304	160	245	28-138	569	285

Further dimensions: Please ask for our detailed dimensional drawings.  
Subject to technical changes.

