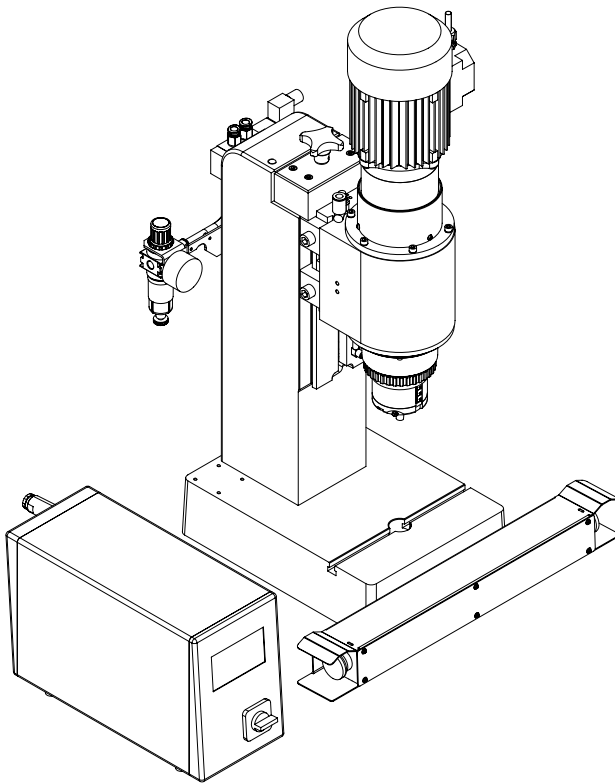


SN – RADIAL BENCH TOP RIVETING MACHINE SNE – RADIAL RIVETING UNIT



Key features

- Complete work station, ready to accept tooling
- High reliability
- Excellent return on invest
- Lean concept
- Two hand start button
- Standard pneumatics
- Also available as riveting unit to be integrated into existing machinery

with Time Based Control RC-30

4.3" Touchscreen, LED-backlit

Control Software on SD card – SW updates via SD card possible

Total hardware in semiconductor technology executed

All connections on the back side via quick disconnect

Control in sheet metal enclosure, IP 53

Stroke counter and hour counter are resettable

Total stroke counter and total hour counter are not resettable

Main dimensions and weights

Model	kN	H	A	B	D	I	L	K
SN/SNE 170	1.8-6.6	5-30	585-615	173	125-155	744-899	195-350	408
SN/SNE 220	3.8-12	5-40	626-666	185	145-185	756-911	185-340	408
SN/SNE 270	5.8-17	5-40	689-729	211	166-206	864-1025	241-402	530

Further dimensions: Please ask for our detailed dimensional drawings.
Subject to technical changes.

