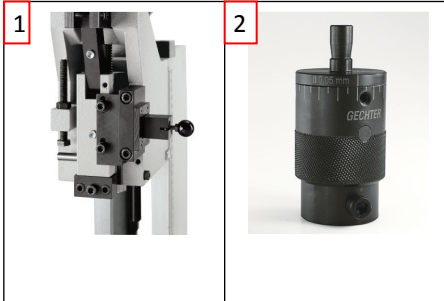


Type 2 HZP Manual Rack & Pinion Press



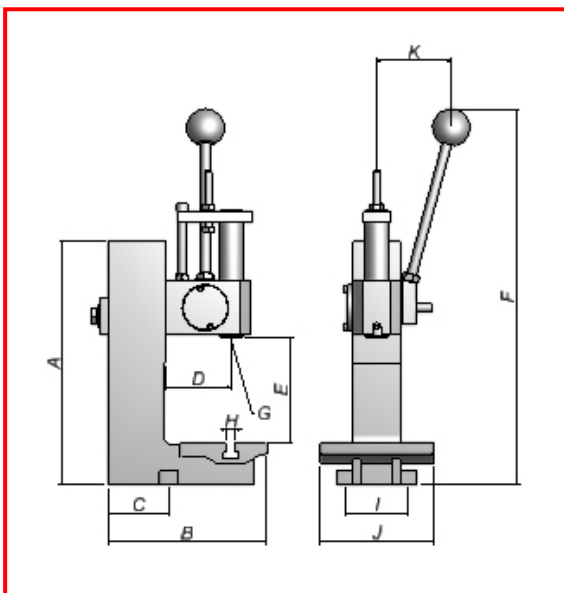
The BalTec Type 2 HZP press is a robustly designed small press with lots of features.

- The press has a round guided ram with an offset pin to ensure the ram does not rotate during use and also ensures accurate guidance
- The spigot is clamped via a grub screw at the front of the ram
- A return lock mechanism can be fitted. A return lock mechanism will allow the press to return only when the complete stroke has been completed
- Large table with Tee slot clamping surface
- Quick and easy head height adjustment
- Also available as head only
- DXF, DWG and 3D Model files available on request



Accessories

1. Return Lock Mechanism
2. Fine Adjustment



Dimensions	Type 2 HZP
A	260
B	170
C	64
D	70
E	85 - 182
F	348 - 445
G	39
H	Ø10
I	70
J	120
K	85
Stroke	0-54
Force at lower position	Max 2kN
Weight	7.5kg