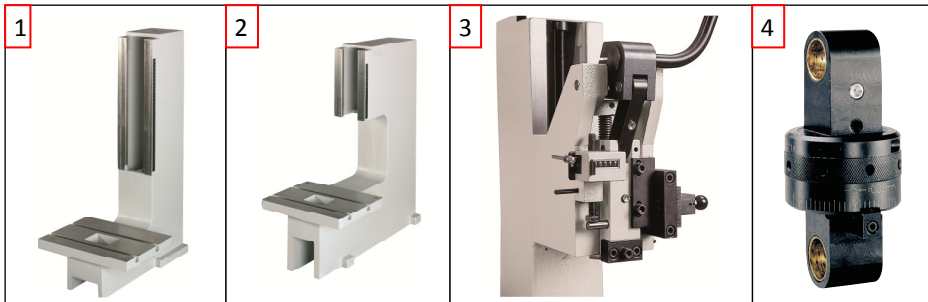


2.5 kN HKPV Toggle Press



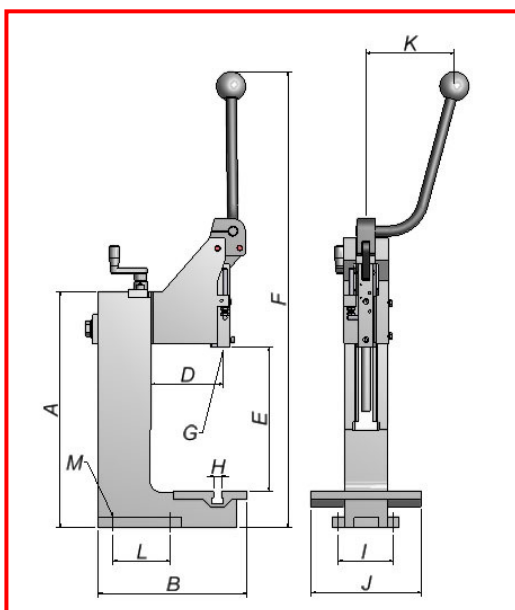
The BalTec 2.5kN HKPV press is a robustly designed small press with lots of features.

- The handle can be changed for left hand use or right hand use and can be positioned in any orientation
- The ram is vee guided to ensure the ram does not rotate during use and also ensures accurate guidance
- The front spigot clamping block gives accurate all round clamping
- A return lock mechanism can be fitted. A return lock mechanism will allow the press to return only when the complete stroke has been completed
- Large table with Tee slot clamping surface
- Quick and easy head height adjustment
- Also available as head only
- DXF, DWG and 3D Model files available on request



Accessories

1. Extra height frame
2. Extra throat depth frame
3. Return Lock Mechanism and Counter
4. Fine Adjustment



Dimensions	2.5 kN HKPV
A	320
B	202
C	8
D	90
E	75 - 190
F	480 - 600
G	Ø10 H7
H	10
I	74
J	150
K	150
L	85
M	Ø7
Stroke	0-40
Force at lower position	Max 8kN
Weight	11.5kg