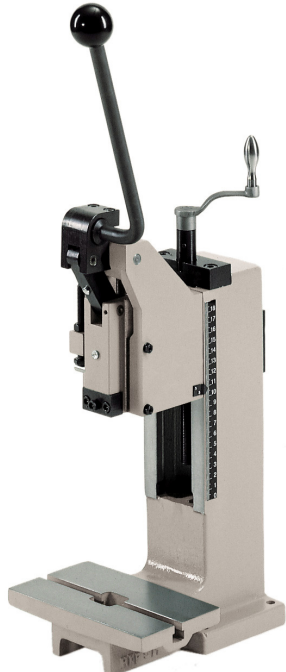
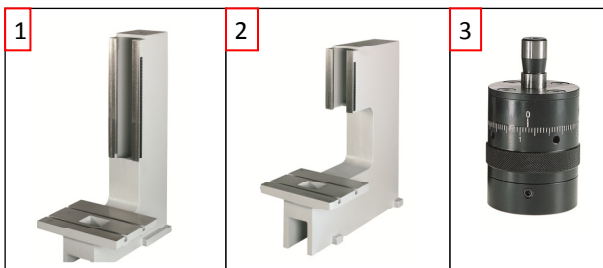


## 50 kN HKP Manual Toggle Press



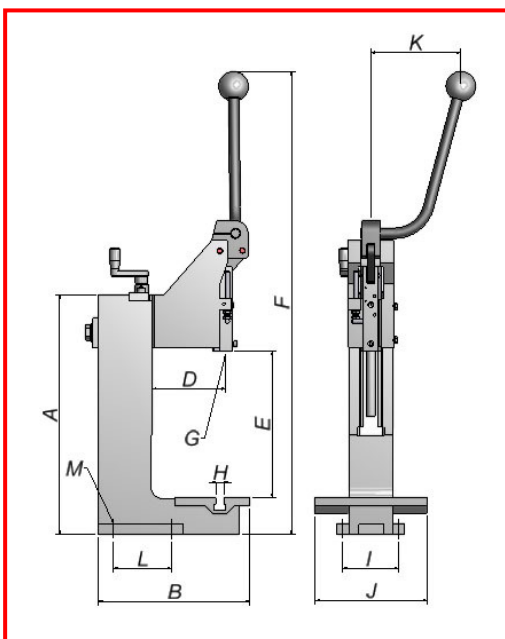
The BalTec 50kN HKP press is a robustly designed small press with lots of features.

- The handle can be changed for left hand use or right hand use and can be positioned in any orientation
- The ram is vee guided to ensure the ram does not rotate during use and also ensures accurate guidance
- The front spigot clamping block gives accurate all round clamping
- A return lock mechanism can be fitted. A return lock mechanism will allow the press to return only when the complete stroke has been completed
- Large table with Tee slot clamping surface
- Quick and easy head height adjustment
- Also available as head only
- DXF, DWG and 3D Model files available on request



### Accessories

1. Extra height frame
2. Extra throat depth frame
3. Fine Adjustment



Dimensions	50 kN HKP
A	715
B	520
C	20
D	200
E	110 - 370
F	1250 - 1510
G	Ø25 H7
H	12
I	195
J	340
K	220
L	160
M	Ø11
Stroke	0 - 15
Force at lower position	Max 55kN
Weight	242kg