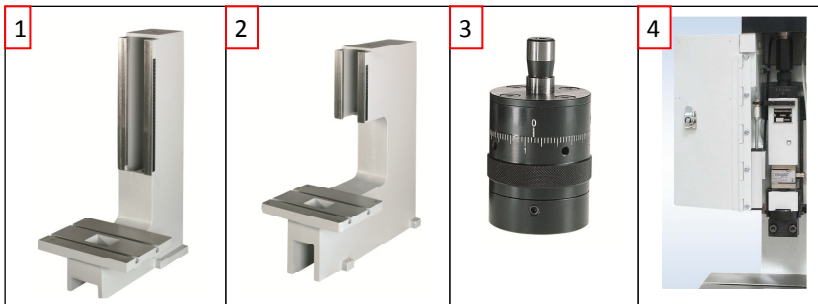


## 12 kN LP Linear Acting Pneumatic Press



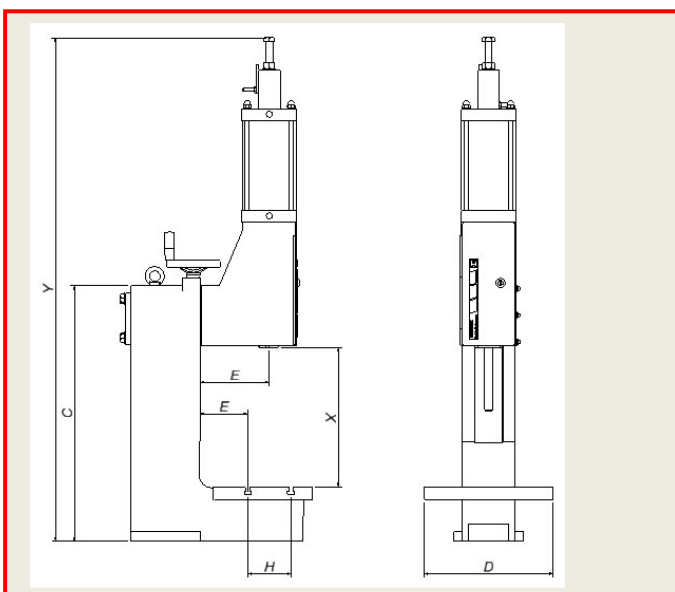
The BalTec 12kN LP press is a robustly designed small press with lots of features.

- The ram is vee guided to ensure the ram does not rotate during use and also ensures accurate guidance
- The front spigot clamping block gives accurate all round clamping
- Large table with Tee slot clamping surface
- Quick and easy head height adjustment
- Also available as head only
- DXF, DWG and 3D Model files available on request
- Complies with CE standards without any additional guarding
- Comes with a variety of control features. Please see separate control sheet for more details



### Accessories

1. Extra height frame
2. Extra throat depth frame
3. Fine Adjustment
4. Force monitoring options



Dimensions	12 kN LP
C	415
D	200
E	120
F	93
G	75
H	
U	21
X	73 - 240
Y	929 max
Ram Location Dia	Ø10 H7
Stroke	0 - 40
	0 - 60
Force at lower position	Max 12kN @7 bar