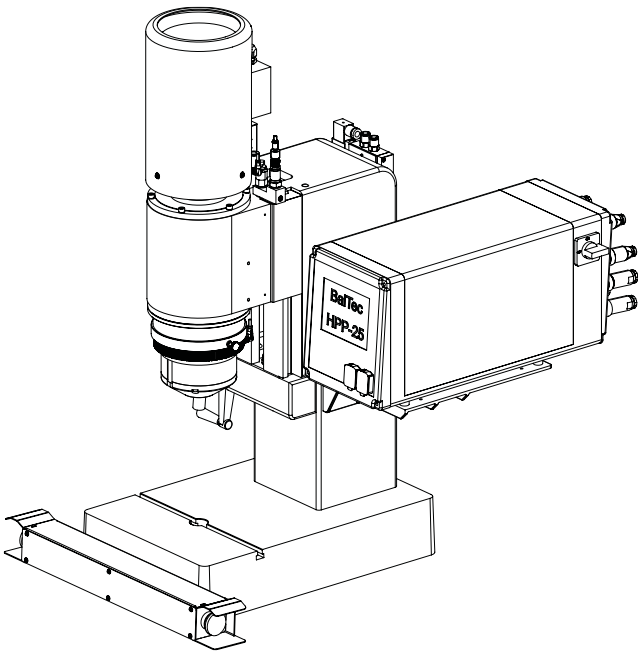


## RN – RADIAL BENCH TOP RIVETING MACHINE



### Key features

- Complete work station
- Stable cast column and table
- Two hand start button including safety relay
- Height adjustment & clamping
- Work lamp
- 081-331 includes standard pneumatic package  
381 includes standard hydraulic package

### with Process Control HPP-25

5,7" Touchscreen LED-backlit

Process data are continuously evaluated and stored

Integrated riveting curve visualization for a simple process analysis

USB and Ethernet interfaces and integrated data logger

Graphical display of riveting force and deformation path-curve

Indicator on riveting head home position and lower endposition

Status display in-/output of the riveting curve

### with Time Based Control RC-30

4.3" Touchscreen, LED-backlit

Control Software on SD card – SW updates via SD card possible

Total hardware in semiconductor technology executed

All connections on the back side via quick disconnect

Control in sheet metal enclosure, IP 53

Stroke counter and hour counter are resettable

Total stroke counter and total hour counter are not resettable

**Main dimensions and weights (without control)**

Model	kN	H	C	D1	D2	E	F	G	I	K	L	kg
<b>RN 081</b>	0.8-2.4	2-25	298	260	150	46-71	160	531-628	122	42-139	Ø 75	41
<b>RN 151</b>	0.5-1.5	5-30	408	362	260	125-155	169	709-860	113	69-225	Ø 75	55
<b>RN 181</b>	1.8-6.6	5-30	408	362	260	125-155	169	709-860	113	69-225	Ø 75	55
<b>RN 181R</b>	1.2-3.6	5-30	408	362	260	125-155	169	709-860	113	69-225	Ø 75	55
<b>RN 231</b>	3.8-12	5-40	408	362	260	145-185	174	725-880	113	39-185	Ø 75	85
<b>RN 231R</b>	1.8-6.6	5-40	408	362	260	145-185	174	725-880	113	39-185	Ø 75	85
<b>RN 281</b>	5.8-17	5-40	528	495	320	166-206	196	838-985	97	78-228	Ø 125	155
<b>RN 281R</b>	3-9.5	5-40	528	495	320	166-206	196	838-985	97	78-228	Ø 125	155
<b>RN 331</b>	11-33	5-50	646	562	350	208-258	212	957-1157	115	78-272	Ø 125	240
<b>RN 381</b>	6-40	5-50	–	531	350	198-248	–	938-1180	–	87-289	Ø 125	200

Further dimensions: Please ask for our detailed dimensional drawings.  
Subject to technical changes.

